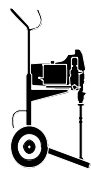
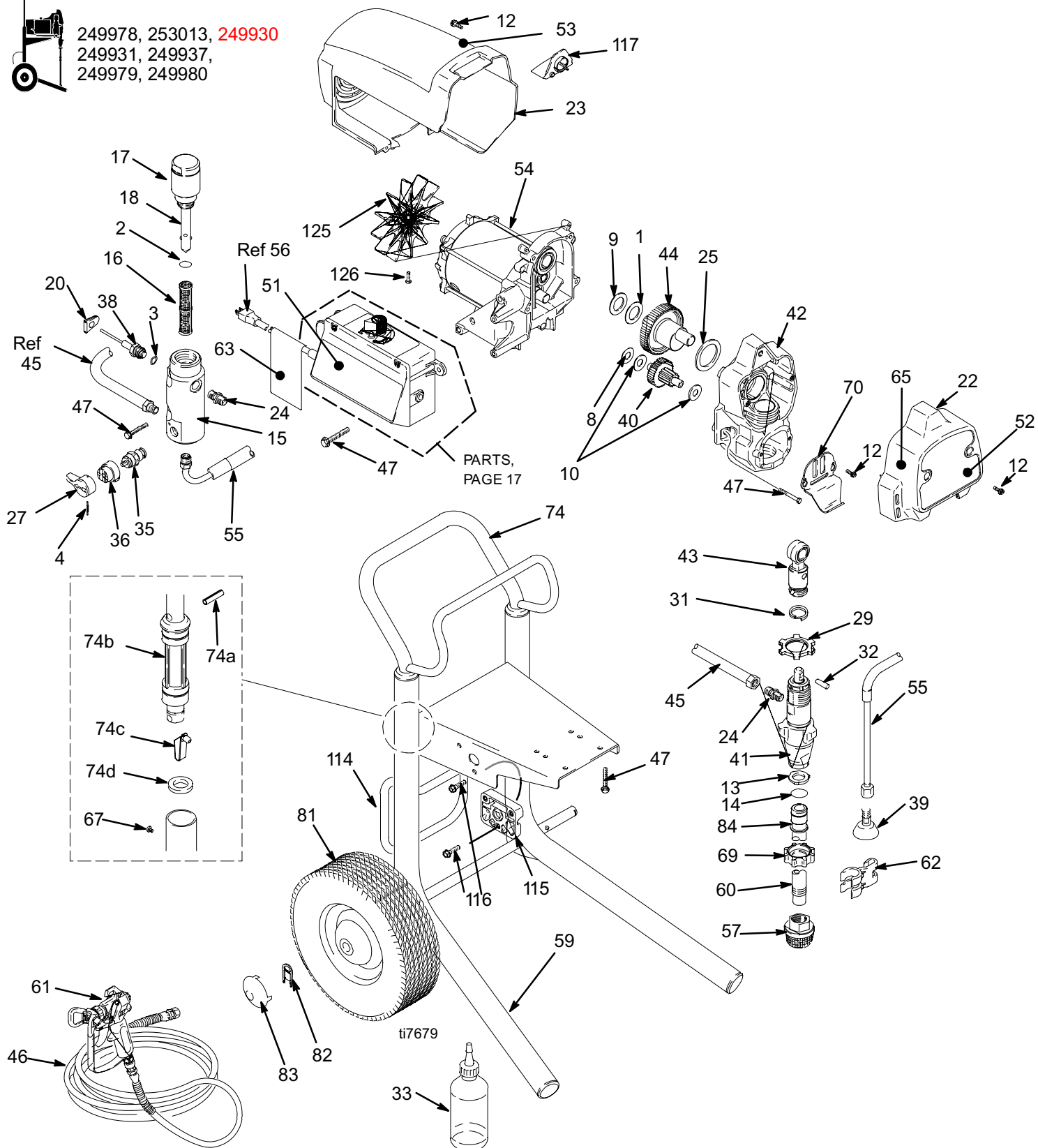


# Parts Drawing - Sprayer



249978, 253013, **249930**  
 249931, 249937,  
 249979, 249980



# Parts List - Sprayer



249930, 249931, 249937, 249978, 249979, 249980, 253013

Ref No.	Part No.	Description	Qty	Ref No.	Part No.	Description	Qty
1	107434		1		15G837	495	1
2	117828		1		15G903	595	1
3	111457		1	53	15G829	490	1
4	111600		1		15G902	495	1
8	116073		1		15G904	595	1
9	116074		1	54	287805	490/495; +125, 126	1
10	116079		2		287807	595;+ 125, 126	1
12	117501		8	55	243993	+ 39	1
13	115099		1	57	246385		1
14	103413		1	59	287779		1
15	15G455		1	60	15B506	+ 14, 57, 69, 84	1
16	246384†		1	61	246539	Manual 309639	1
17	15G456	+ 18	1	62	276888		1
18	287167		1	63	15H085		1
20	15B120		1	65	195793		1
22	287901	+12	1	67	109032		4
23	287900	+ 12	1	69	15E813		1
24	162453		2	70	15C146		1
25	180131		1	74	287489		1
27	187625		1	74a	108068		2
29	195150		1	74b	192027		2
31	196750		1	74c	111590		2
32	196762		1	74d	183350		2
33	206994		1	81	106062		2
34	222385		1	82	15B999		2
35	235014	+ 5, 26	1	83	104811		2
36	224807		1	84	15B652		1
38	243222	+ 3	1	105	287904		1
39	241920		1	109	243301		1
40	287057	+ 8, 10	1	114	15D281		1
41	246428		1	115	15C982		2
42	287899	+ 12, 47	1	116	114531		4
43	287053	+ 31, 32	1	117	15G447		1
44	287054	+ 1, 9, 25; 490/495	1	125	15D088		1
	248231	+ 1, 9, 25; 595	1	126	115477		1
45	287003		1				
46	240794		1				
47	117493		12				
51	15G866		1				
52	15G828	490	1				

Extra Danger and Warning tags and labels available free.

† Other filters available: 246382, 100 mesh; 246383, 200 mesh; 246425, 30 mesh

# Parts / Peças / Pièces / Piezas - 246428

Ref No.	Part No.	Description	Qty.
201	249125	ROD, displacement, includes 212	1
202	180656	BUTTON, plug	1
203	193047	NUT, packing	1
204*	176757	GLAND, female, throat	1
205*	176754	GLAND, male, throat	1
206	243176	CYLINDER, pump	1
207*	105444	BALL, sst, 0.3125 in.	1
208*	195129	GLAND, male, piston	1
209*	180073	GLAND, female, piston	1
211*	15G234	GUIDE, piston	1
212	239937	VALVE, piston (included with 201)	1
213	15C011	GUIDE, ball	1
215†	246429	KIT, seat, carbide includes 213, 217 and 218	1
216	15B611	VALVE, intake housing	1
217*	15B112	PACKING, o-ring (0.941 in. OD)	1
218*†	105445	BALL, sst, 0.5000 in.	1
219*	108526	O-RING, PTFE	1
220*	117459	O-RING	1
221*	176755	V-PACKING, leather, throat	2
222*	192710	V-PACKING, throat, V-Maxt UHMWPE, blue	3
223*	176749	V-PACKING, leather, piston	2
224*	192712	V-PACKING, piston V-Maxt UHMWPE, blue	3
225	162453	NIPPLE, 1/4 npsm x 1/4 npt	1
226	119789	FITTING, elbow, street, 45°, 1/4 npt	1

\* Also included in Kit 244194

† Also included in Kit 246429

\* Também incluído no Kit 244194

† Também incluído no Kit 246429

\* Inclus aussi dans la trousse 244194

† Inclus aussi dans la trousse 246429

\* También incluida en Kit 244194

† También incluida en Kit 246429

## Technical Data

### /Dados Técnicos/Fiche technique/Datos técnicos

Maximum working pressure / Pressão máxima de trabalho de  
Pression maximale de service /  
Presión máxima de operación .....

3300 psi (228 bar, 23 MPa)  
3 300 lb/po<sup>2</sup> (228 bar, 23 MPa)

Fluid inlet size / Dimensões da entrada de líquido

Dia. de l'orifice d'entrée / Tamaño de la entrada de fluido .....

1-1/4-12 unf(m)

Fluid outlet size / Dimensões da saída de líquido

Dia. de l'orifice de sortie / Tamaño de la salida de fluido ... 1/4 npt(f)

Wetted parts ..... stainless steel, PTFE, leather,  
nylon, zinc-plated carbon steel, tungsten carbide,  
chrome plating, UHMWPE, Acetal, polyethylene, nylon

Peças lubrificadas ..... aço inoxidável, PTFE, couro,  
nylon, aço carbono zincado, carboneto de  
tungstênio, cromagem, UHMWPE, Acetal, polietileno

Pièces en contact avec du liquide ..... acier inoxydable et en  
PTFE, cuir, nylon, acier carbone zingué,  
carbure de tungstène, plaquage au chrome,  
UHMWPE, Acetal, polyéthylène

Piezas húmedas ..... acero inoxidable, PTFE,  
cuero, nilón, acero al carbono enchapado en cinc,  
carburo de tungsteno, enchape en cromo,  
UHMWPE, Acetal, polietileno

